

Remote Vapor Thermometers

Marshalltown vapor tension thermometers offer the ideal solution for applications that require remote readings within the -40° to 240°F (-40° to 115°C) range. Typical vapor tension thermometer applications include food processing equipment, milk coolers, air conditioners and air ducts, hot and chilled water systems, boilers, pipelines, tanks and industrial ovens...Wherever remote readings are needed.

Specifications

Case Material
Black steel

Fill Fluid
None

Lens Material
Acrylic

Dial
White aluminum with black lettering

Pointer
Black aluminum

Accuracy
± 3%-2%-3%

Movement
Brass sector with polycarbonate side plates

Bulb Length
2½" standard, optional 3½" & 4½"

Case Styles
Flush u-clamp, three hole front flange, rear flange or plain.

Sizes
2", 2½", 3½" & 4½"

Capillary
6 feet standard, for longer capillaries insert length to end of part number i.e. for a 10 foot capillary the part number would be K35250-010



K35250

Dial Size	2"		2½"		3½"			4½"	
Case Pattern	Flush U-Clamp	3 Hole Front Flange	Flush U-Clamp	3 Hole Front Flange	Flush U-Clamp	3 Hole Front Flange	Rear Flange	Plain Case	Rear Flange
Connection									
Bulb Insertion	2½"	2½"	2½"	2½"	2½"	2½"	2½"	2½"	2½"
Bulb Type	½" union	½" union	½" union	½" union	½" union	½" union	½" union	½" union	½" union
Capillary	6 Feet	6 Feet	6 Feet	6 Feet	6 Feet	6 Feet	6 Feet	6 Feet	6 Feet
Temperature Ranges									
-40° to 65° F/C	K20110	K20210	K25110	K25210	K36110	K35210	K35610	K35310	K45610
-40° to 120° F/C	K20120	K20220	K25120	K25220	K35120	K35220	K35620	K35320	K45620
0° to 120° F/C	K20130	K20230	K25130	K25230	K35130	K35230	K35630	K35330	K45630
0° to 180° F/C	K20140	K20240	K25140	K25240	K36140	K35240	K35640	K35340	K45640
30° to 240° F/C	K20150	K20250	K25150	K25250	K35150	K35250	K35650	K35350	K45650
50° to 300° F/C	K20160	K20260	K25160	K25260	K35160	K35260	K35660	K35360	K45660
List Price	\$226.60	\$226.60	\$279.73	\$279.73	\$299.17	\$299.17	\$293.16	\$270.10	\$449.07

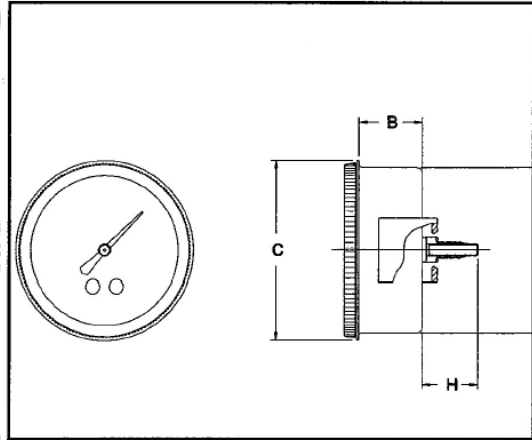
See Discount Line # 30

Marshalltown Remote Vapor Thermometers

Dimensions

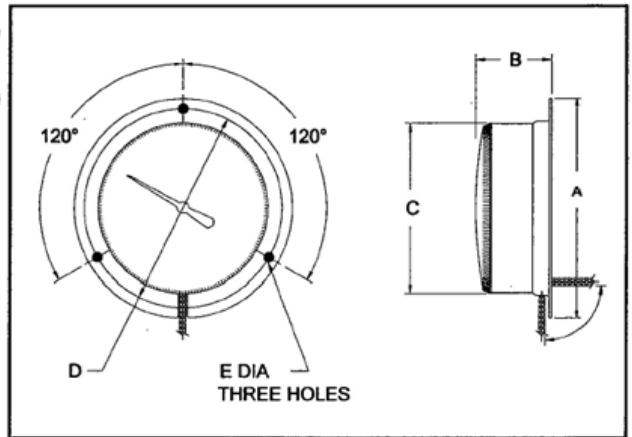
Flush Mount (U-Clamp)

Flush U-clamp	Dial Size	A	B	C	H	Cutout
	2"	2.06	2.52	0.06	0.94	2.12
	2 1/2"	2.59	2.94	2.81	0.94	2.66
	3 1/2"	3.66	2.94	4.00	0.94	3.72



Rear Flanged

3 Hole Rear Flange	Dial Size	A	B	C	D	E
	3 1/2"	4.75	1.5	3.72	4.31	0.219
	4 1/2"	6.19	1.4	4.81	5.69	0.281



Front Flanged

3 Hole Front Flange	Dial Size	A	B	C	D	E	Y/Z	Cutout
	2"	2.06	0.94	2.85	2.5	0.156	3.375/.375	2.12
	2 1/2"	2.49	0.94	3.47	3.12	0.161	3.375/.437	2.65
	3 1/2"	3.66	1.06	4.75	4.4	0.219	3.375/.437	3.72

