

Overpressure Protectors

Description

Over-pressure Protectors are designed to protect pressure gauges or other instruments from damages caused by uncontrolled over pressure in the line.

They act as completely automatic valves that at a pre-set pressure close and consequently block the flow the instrument. They remain closed until the line pressure reaches about 25% below the pre-set pressure

Specifications

Connection

1/2" NPT male x female or BSP Male

Body & Stopper Material

316 stainless steel

Pressure Rating

7250 psi

Operating Temperature

-40°C to 120°C

Adjustment

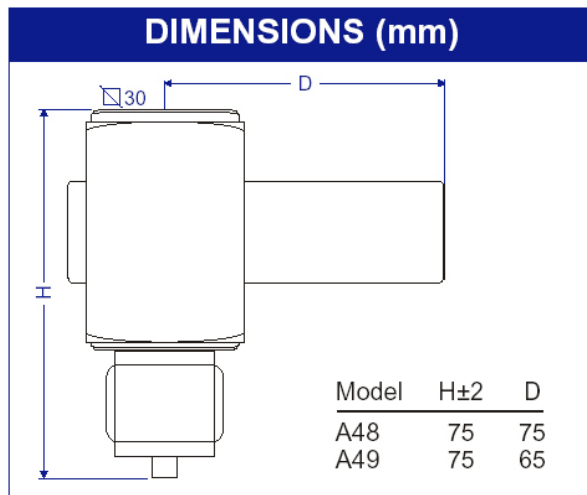
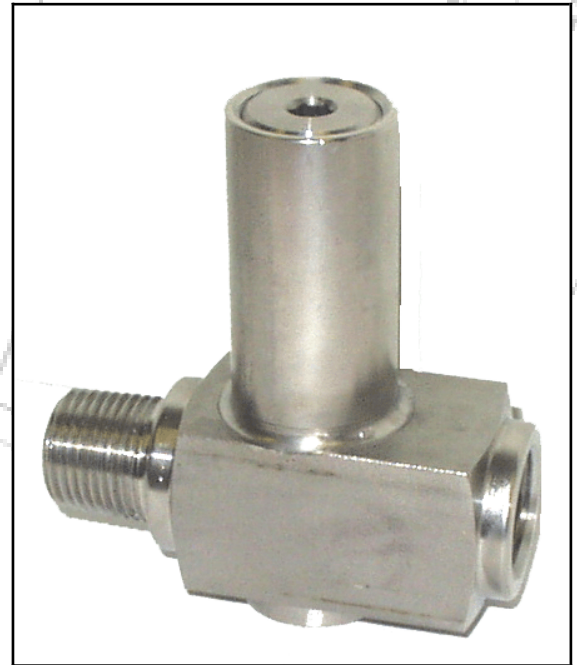
1/4" Allen head adjustment

Accuracy

± 10% of set value

Seals

Two Viton O-rings



ORDERING

TYPE

Bellow Type (Up to 60 psi only)
Piston Type (60 to 8700 psi only)

A4 -

8
 9

ADJUSTABLE RANGE

3...22 psi (0.2 to 1.5 bar)
15...60 psi (1 to 4 bar)
60...230 psi (4 to 16 bar)
150...600 psi (10 to 40 bar)
450...1200 psi (30 to 80 bar)
900...2300 psi (60 to 160 bar)
1500...8700 psi (100 to 400 bar)

1
 2
 3
 4
 5
 6
 7

PROCESS CONNECTION

1/2" NPT male
1/2" BSP male

0
 1

INSTRUMENT CONNECTION

1/2" NPT female
1/2" BSP female

0
 1

OPTION

None
Monel Wetted Parts
Degreased for Oxygen

0
 1
 2