

WGI BKH/BK3 Series High Pressure Ball Valves

WGI BKH high pressure series ball valves are made of nickel plated carbon steel and are primarily used in the hydraulic industry where pressures operate around 5000 psi. WGI BKH series ball valves are field repairable, have blowout proof stems and delrin ball seats.

Specifications

Sizes

1/4" through 2" NPT

Porting

Full port

Body Material

Carbon steel

Ball & Stem Material

Nickel plated carbon steel

Seat Material

Delrin

Stem Packing

Buna N

Pressure Rating

1/4", 3/8" & 1/2" 7250 psi

3/4" through 2" 5000 psi

Temperature Rating

-20° to 300°F (-20 to 150°C) WOG

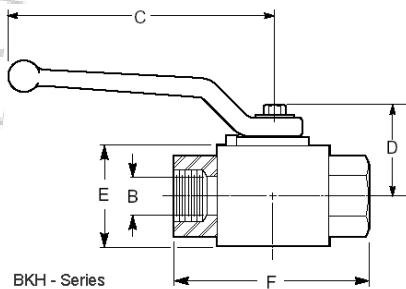
Handle

Die-cast zinc

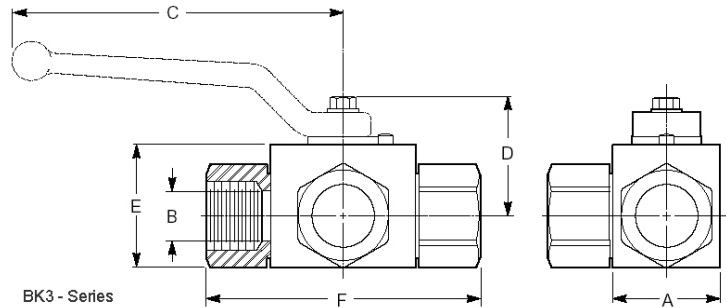


BKH-1/2

Dimensions & Part Numbers



BKH - Series



BK3 - Series

BKH Series - High pressure ball valves

Part Number	Working Pressure	A	B	C	D	E	F	Weight KG	List Price
BKH-1/4	7250 PSI	26	6	115	13.5	47	69	0.4	\$102.00
BKH-3/8	7250 PSI	32	10	115	17.5	52	78	0.55	\$114.50
BKH-1/2	7250 PSI	35	13	115	19	54	104	0.75	\$132.00
BKH-3/4	5000 PSI	49	20	200	24.5	75	102	1.63	\$202.00
BKH-1	5000 PSI	58	25	200	29.5	83	119	2.30	\$251.00
BKH-1-1/4	5000 PSI	81	32	320	40.5	107	120	3.3	\$559.00
BKH-1-1/2	5000 PSI	100	38	320	50	124	130	5.4	\$639.00
BKH-2	5000 PSI	118	48	320	59	138	140	7.5	\$768.00

See Discount Line # 39

3 Way High Pressure Selector Ball Valves – BK3 Series

Part Number	Working Pressure	A	B	C	D	E	F	List Price
BK3-1/2	5145 PSI	1.38	.51	4.21	1.31	1.57	3.62	\$236.67
BK3-3/4	5145 PSI	1.93	.79	6.50	1.91	2.24	3.82	\$326.67
BK3-1	5145 PSI	2.36	.94	6.50	1.95	2.36	4.45	\$370.00