

# WGI 601SS Series Stainless Steel Ball Valves

WGI Excel 601ss series stainless steel ball valve are made of 316 stainless steel and conforms to NACE standard MRO-175-2003 for use in sour gas service. WGI stainless ball valves have a locking handle and mounting pads either for an actuator or wall mounting.

## Specifications

### Sizes

1/4" through 2" NPT

### Porting

Full port

### Body Material

316 Stainless steel

### Ball Material

316 Stainless steel

### Seat Material

Teflon®

### Stem Packing

Teflon®

### Pressure Rating

1/4" through 3/4" 2000 psi (WOG) 1" through 2" NPT 1500 psi (WOG)

### Temperature Rating

-20° to 300°F (-20 to 150°C) WOG

### Handle

304 Stainless steel

### Canadian Registration Number (CRN)

CSA-OCO795.9C



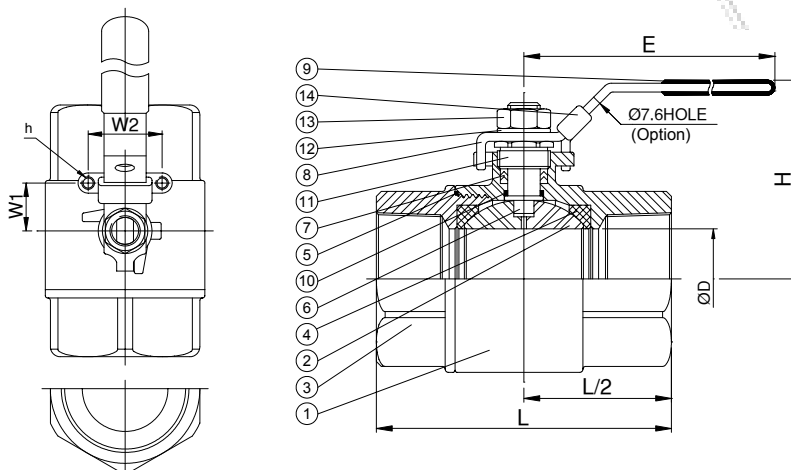
601SS-1/2

## Dimensions & Part Numbers

Part Number	List Price
601SS-1/4	\$50.00
601SS-3/8	\$50.84
601SS-1/2	\$55.00
601SS-3/4	\$75.00
601SS-1	\$84.03
601SS-1-1-1/4	\$133.33
601SS-1-1/2	\$183.33
601SS-2	\$250.00

## MATERIALS LIST

NO.	PART NAME	MATERIAL	Q'TY
1	BODY	A351 Gr.CF8M	1
2	BALL	A351 Gr.CF8M	1
3	END CAP	A351 Gr.CF8M	1
4	SEAT	PTFE., RTFE.	2
5	BODY SEAL	PTFE.	1
6	STEM	SS316	1
7	STEM PACKING	PTFE.	1SET
8	HANDLE	SS304	1
9	HANDLE COVER	PLASTIC	1
10	THRUST WASHER	PTFE.	1
11	GLAND NUT	SS304	1
12	HANDLE WASHER	SS304	1
13	HANDLE NUT	SS304	1
14	LOCKING PAD	SS304	1



## DIMENSION

SIZE	D	L	H	E	W1	W2	h	Cv FACTOR
601SS 1/4"	11.0	59.5	57.0	103.0	12.7	28.5	M5xP0.8	16.0
601SS 3/8"	12.5	59.5	57.0	103.0	12.7	28.5	M5xP0.8	16.0
601SS 1/2"	15.0	64.5	57.6	103.0	12.7	28.5	M5xP0.8	26.0
601SS 3/4"	20.0	77.0	68.5	127.0	22.4	35.0	M6xP1.0	55.0
601SS 1"	25.0	90.5	72.7	127.0	22.4	35.0	M6xP1.0	110.0
601SS 1-1/4"	32.0	99.5	87.7	156.0	25.4	38.1	M6xP1.0	180.0
601SS 1-1/2"	40.0	118.0	93.0	193.0	25.4	38.1	M6xP1.0	270.0
601SS 2"	50.8	136.5	104.3	193.0	25.4	38.1	M6xP1.0	500.0